

Find the value of the following:

$$5^2 =$$

$$8^2 =$$

$$14^2 =$$

$$4^2 =$$

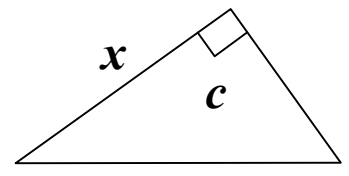
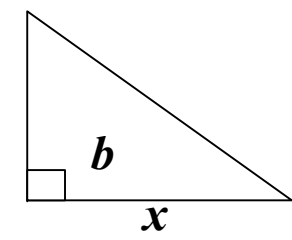
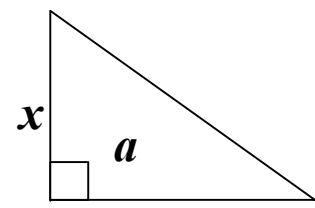
$$12^2 =$$

$$13^2 =$$

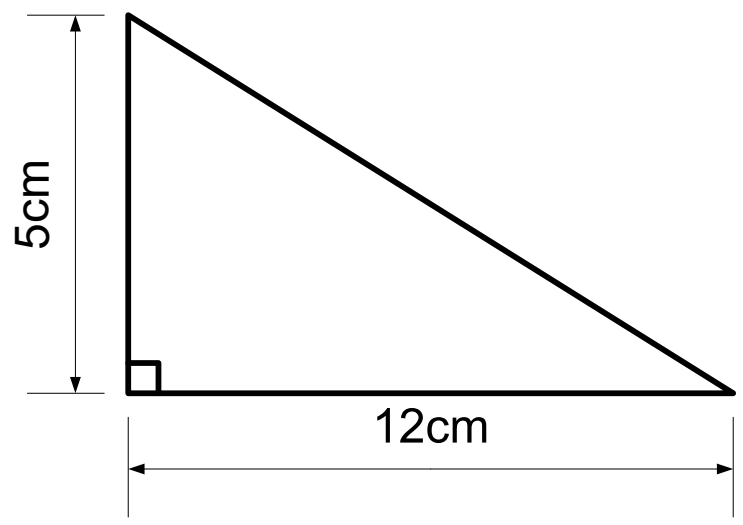
Which equation do we use to work out the length of side x ?

$$x = \sqrt{a^2 + b^2}$$

$$x = \sqrt{c^2 - b^2}$$



Find the length of the missing side.



Find the perimeter of this triangle.

