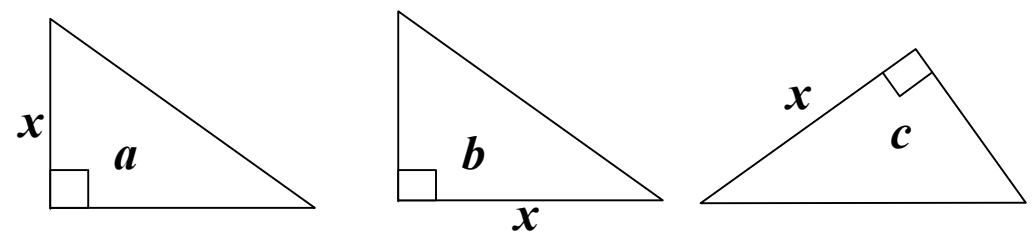


Find the value of the following:

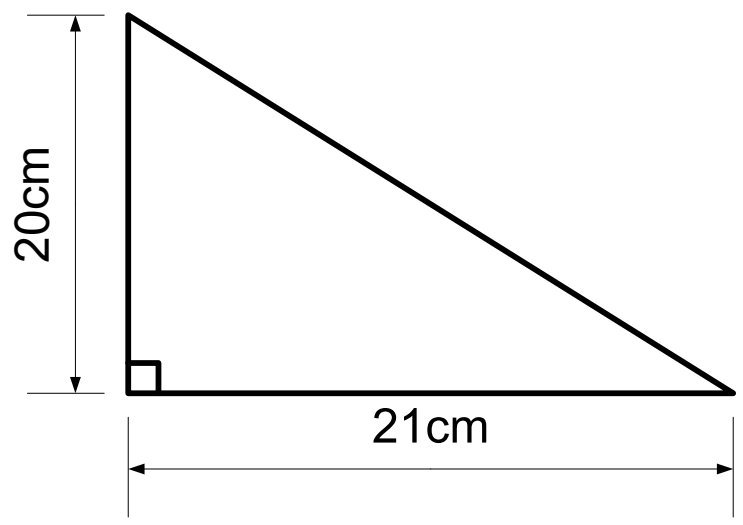
$$\begin{array}{ll} 7^2 = & 29^2 = \\ 11^2 = & 21^2 = \\ 20^2 = & 16^2 = \end{array}$$

Which equation do we use to work out the length of side x?

$$\begin{array}{l} x = \sqrt{a^2 + b^2} \\ x = \sqrt{c^2 - b^2} \end{array}$$



Find the length of the missing side.



Find the perimeter of this triangle.

