

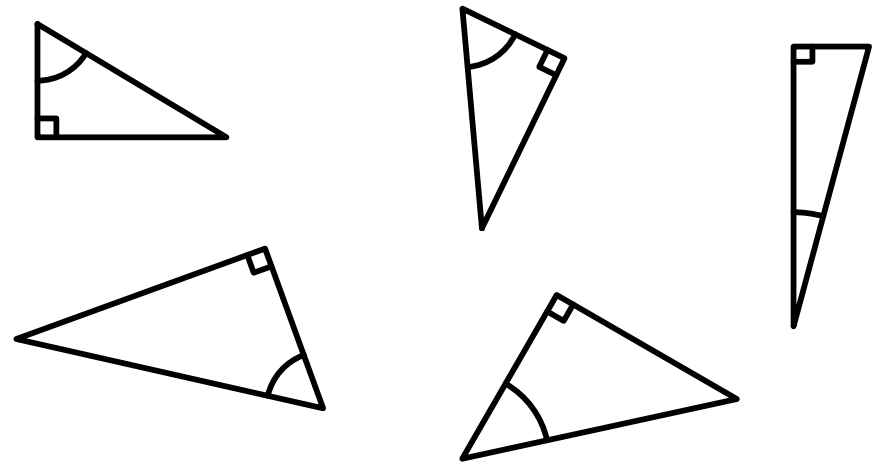
Copy and complete the sentence.

Some \_\_\_\_\_

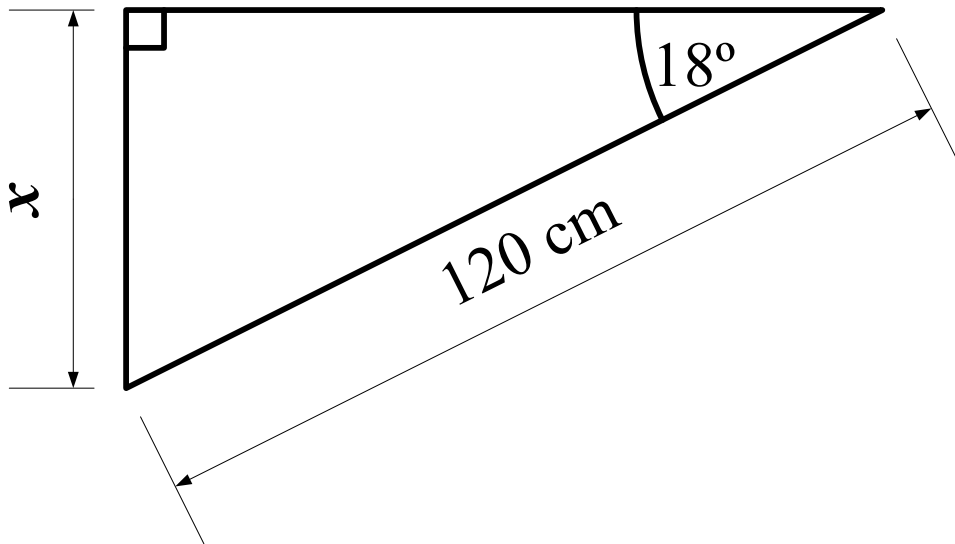
Curley Auburn \_\_\_\_\_

'Til \_\_\_\_\_

Label the sides in relation to the shown angle.



Calculate the length of side  $x$ .



Calculate the size of angle  $\theta$ .

