

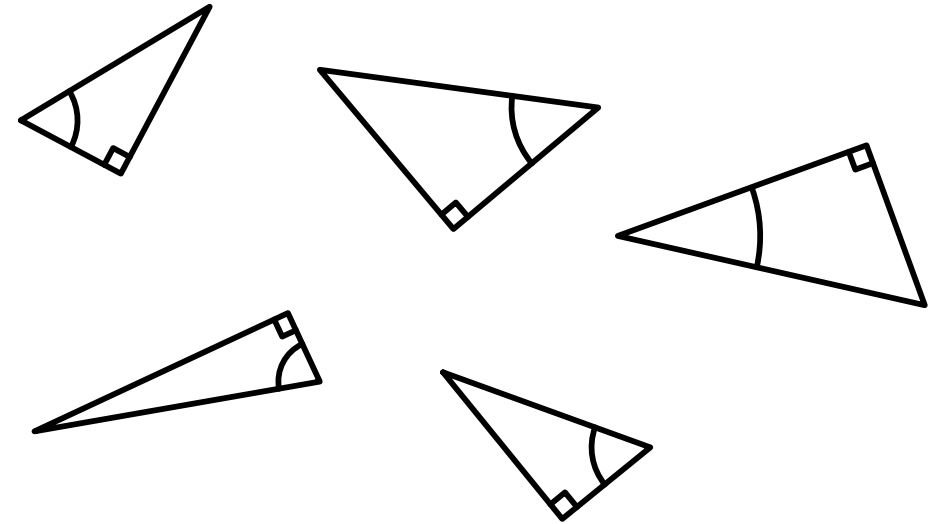
Copy and complete the equations

$$\mathbf{\sin \theta = \text{---}}$$

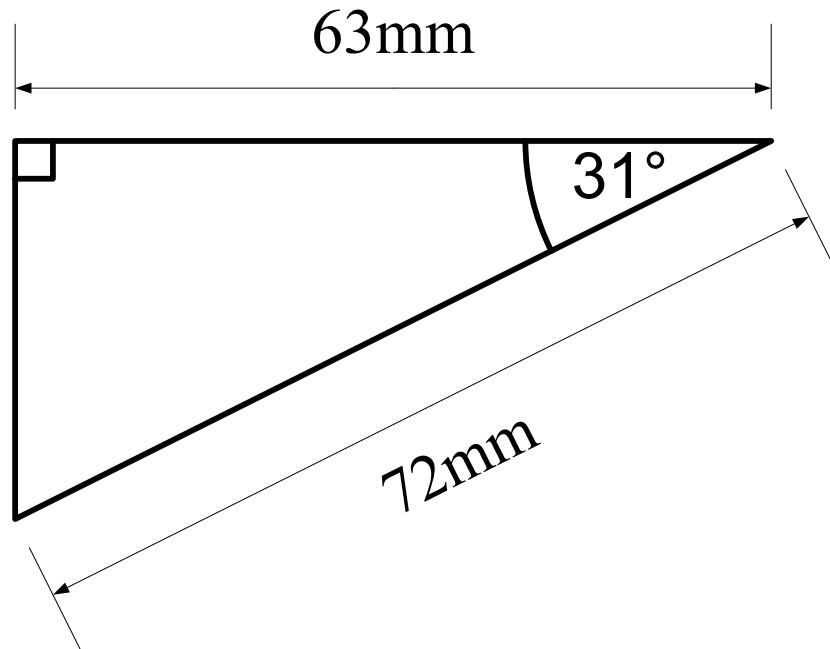
$$\mathbf{\cos \theta = \text{---}}$$

$$\mathbf{\tan \theta = \text{---}}$$

Label the sides in relation to the shown angle.



Calculate the length of side x .



Calculate the size of angle θ .

